



Cabrestante Marino Neumatico de 3 Toneladas

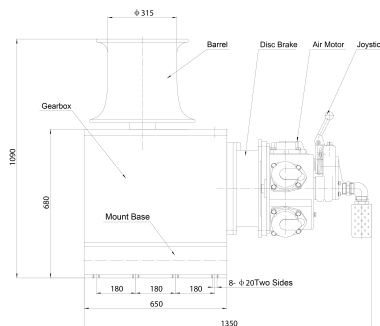
Características Esenciales

- 3 Años de Garantía, Servicio y Atención al Cliente en Mexico

Copyright: The pictures contained in this site belong to Prowinch LLC and are protected by copyright under national and international law. This information may not be reproduced, adapted or modified without the written consent of Prowinch LLC. The use of these images and texts implies that you should mention Prowinch LLC as owner. By consulting this site or downloading any information you agree to these conditions.

Especificaciones Técnicas

Capacidad de Carga	30 kN	Numero de Velocidades	Variable Speed
Potencia Total Watts	12 kW	Tipo de Motor	TMH8
Garantía	3 Year		



Dimensions in mm / Dimensiones en mm

Paquete 1 Ancho 31 in / 79 cm

Paquete 1 Altura 42 in / 107 cm

Referential Images / Imágenes Referenciales
Specifications may change without notice / las especificaciones pueden cambiar sin previo aviso