

Dinamometro 10 Tons. Aleacion liviana IP67

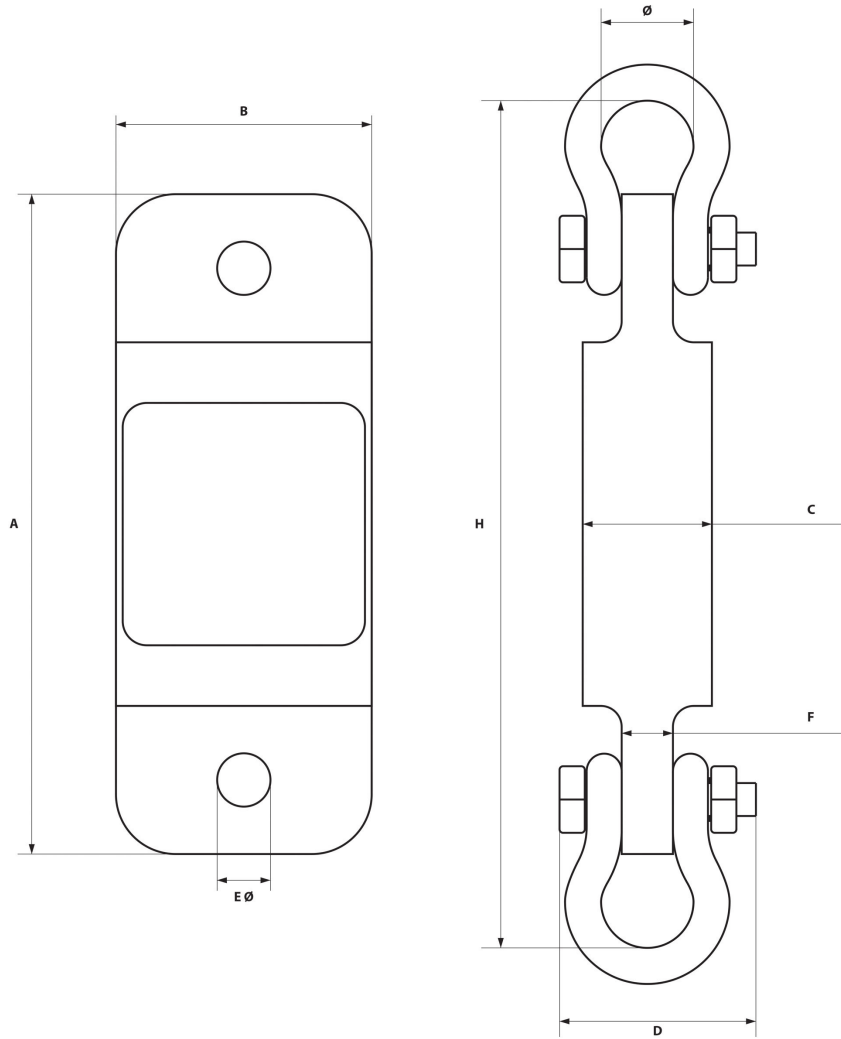
Características Esenciales

- 3 Años de Garantía, Servicio y Atención al Cliente en Mexico



Especificaciones Técnicas

| | | | |
|---------------------------------|----------------------------|-------------------------------------|---------------------------|
| Capacidad de Carga | 22000 lb / 10 ton | Grado de Precision | Grade III / n=3000 |
| Intervalos de Medición | 1/2/5/10/20/50 lb/kg | Frecuencia de Muestro (por seg) | 80 times/veces |
| Peso Minimo | 220 lb / 100 kg | Fuente de Alimentación del Receptor | 3 Battery (pilas) AA 1.5V |
| Rango de temperatura de Trabajo | 4° - 122 °F / -20° - 50° C | Garantía | 3 Year |



| Model / Modelo | PWHYCS1T | PWHYCS5T | PWHTCS10T | PWHYCS20T | PWHYCS30T | PWHYCS50T |
|----------------|------------|-----------|-----------|-----------|-----------|-----------|
| A | 9 5/8 in | 11 1/4 in | 12 1/3 in | 16.5 in | 16.5 in | 18.3 in |
| | 244.5 mm | 286 mm | 318 mm | 420 mm | 420 mm | 465 mm |
| B | 3 3/4 in | 4 in | 4 1/2 in | 4.8 in | 5.4 in | 5.9 in |
| | 95.3 mm | 102 mm | 114 mm | 128 mm | 138 mm | 150 mm |
| C | 1 7/8 in | 2 in | 1 7/8 in | 2.8 in | 3.1 in | 3.9 in |
| | 47.6 mm | 51 mm | 48 mm | 70 mm | 80 mm | 100 mm |
| D | 2 13/16 in | 4 7/8 in | 6 1/2 in | 10.2 in | 11 in | 12 in |
| | 71.4 mm | 124 mm | 165 mm | 260 mm | 280 mm | 305 mm |
| Ø | 1 3/8 in | 2 1/4 in | 3 1/4 in | 5 in | 5.7 in | 7.2 in |
| | 34.9 mm | 57 mm | 83 mm | 127 mm | 146 mm | 184 mm |
| H | 12 in | 16 in | 19 1/2 in | 25.9 in | 29.1 in | 36.6 in |
| | 304.8 mm | 406 mm | 495 mm | 660 mm | 740 mm | 930 mm |
| EØ | 13/16 in | 17/16 in | 1 7/6 in | | | |
| | 19.6 mm | 37 mm | 37 mm | | | |
| F | 3/4 in | 1 3/8 in | 1 7/8 in | | | |
| | 19.04 mm | 35 mm | 48 mm | | | |

Paquete 1 Altura

7 in / 18 cm

Referential Images / Imágenes Referenciales
Specifications may change without notice / las especificaciones pueden cambiar sin previo aviso